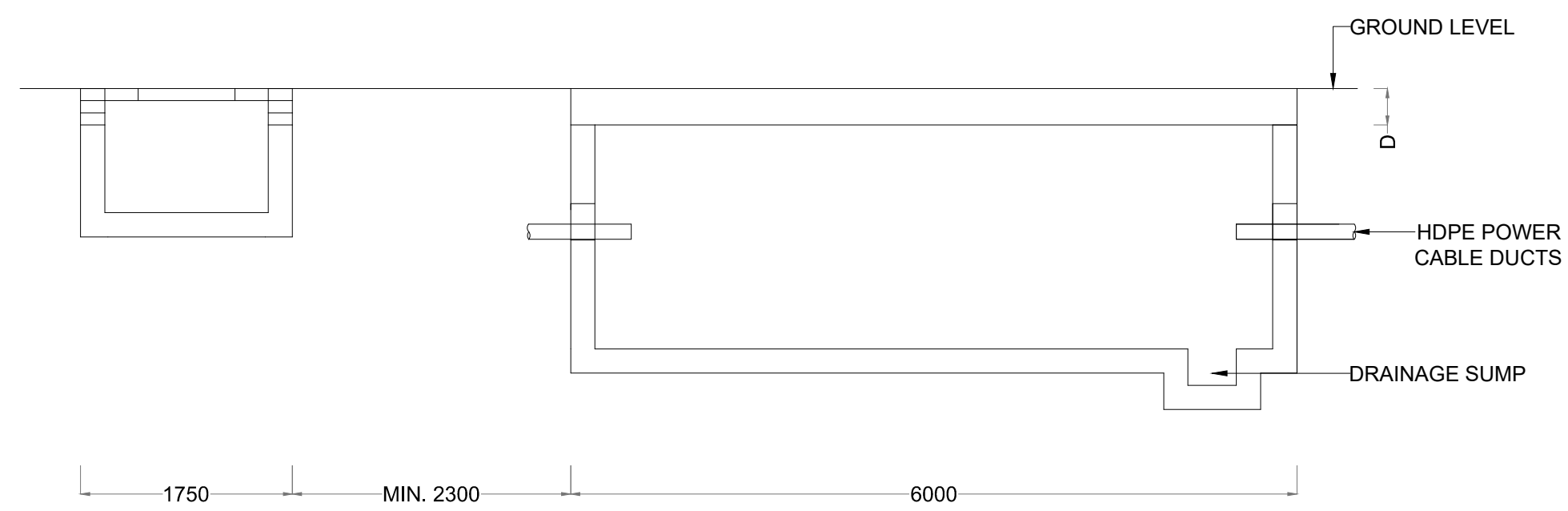
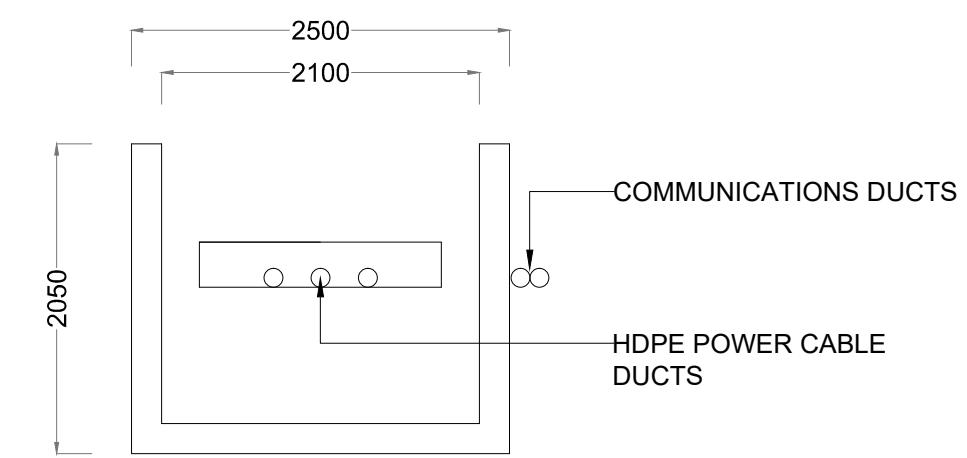


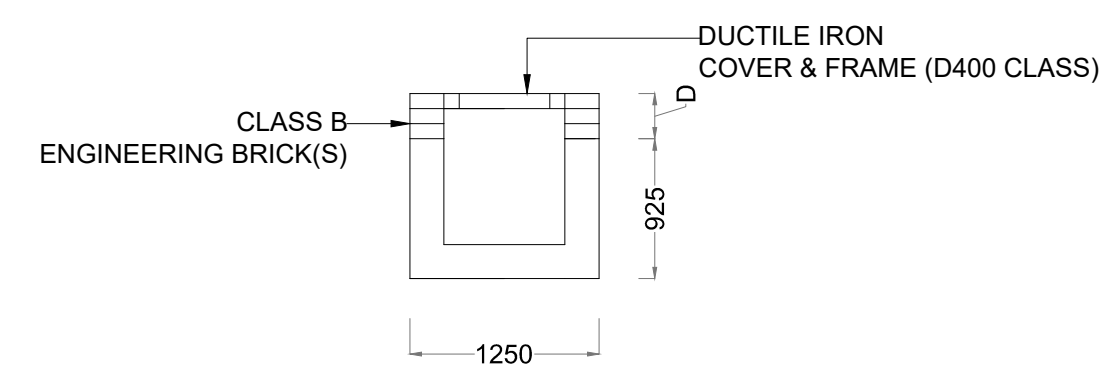
PLAN VIEW



SECTION VIEW A - A



SECTION VIEW B - B



SECTION VIEW C - C

DRAWING TITLE:	
<b>110 kV Joint Bay, C2 Chamber &amp; Link Box Arrangement Details</b>	
PROJECT TITLE:	
<b>Derrinlough Wind Farm, Co. Offaly</b>	
DRAWING BY:	CHECKED BY:
<b>JMcD</b>	<b>NM</b>
PROJECT No.:	DRAWING No.:
<b>1712221</b>	<b>171221 - 35</b>
SCALE:	DATE:
<b>1:50 @ A1</b>	<b>19.02.2020</b>