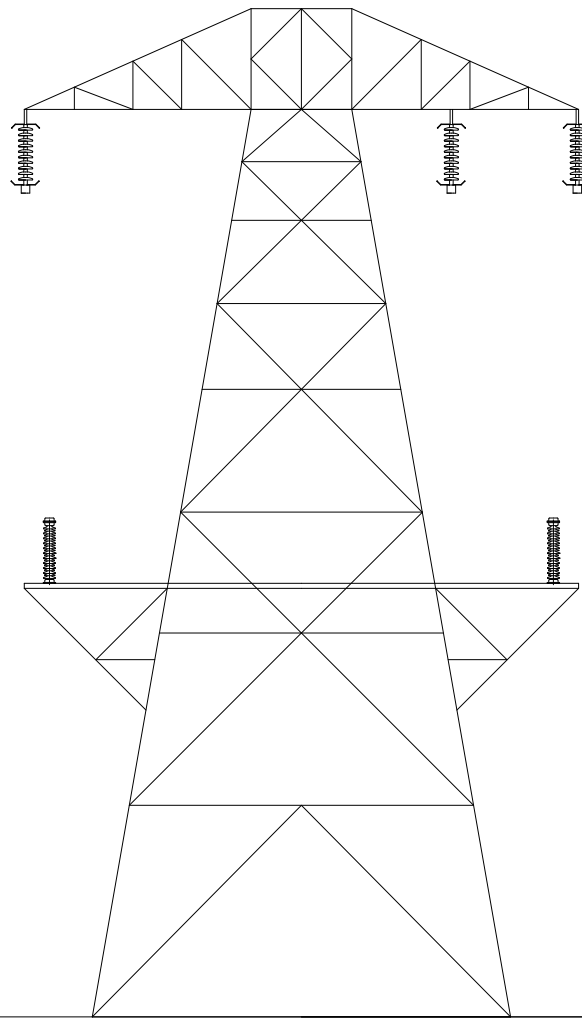
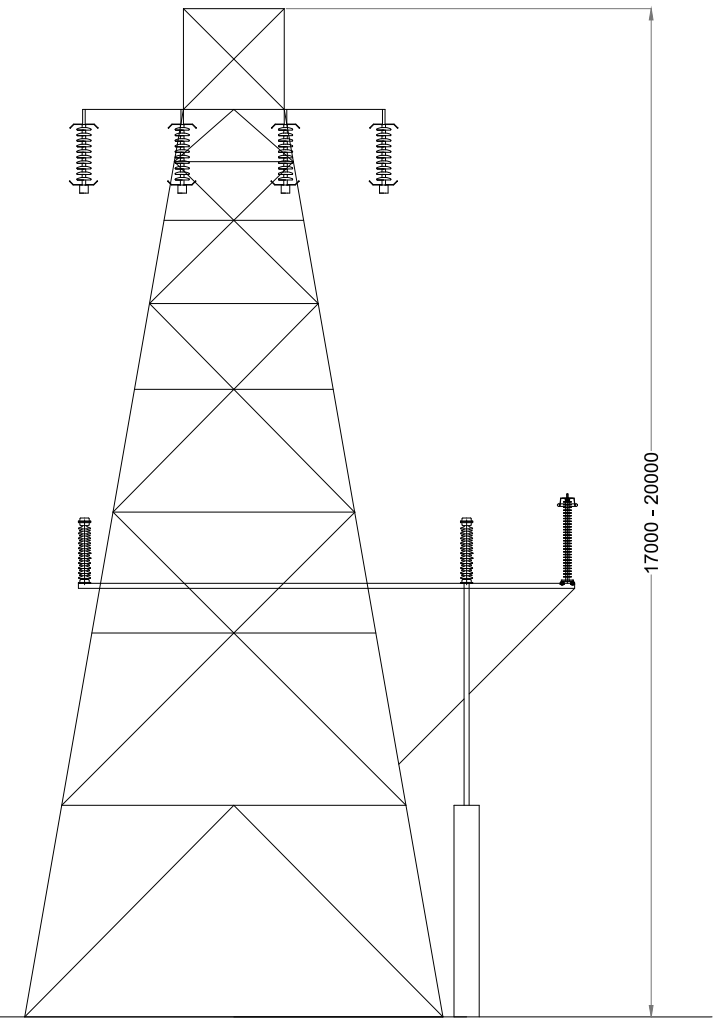


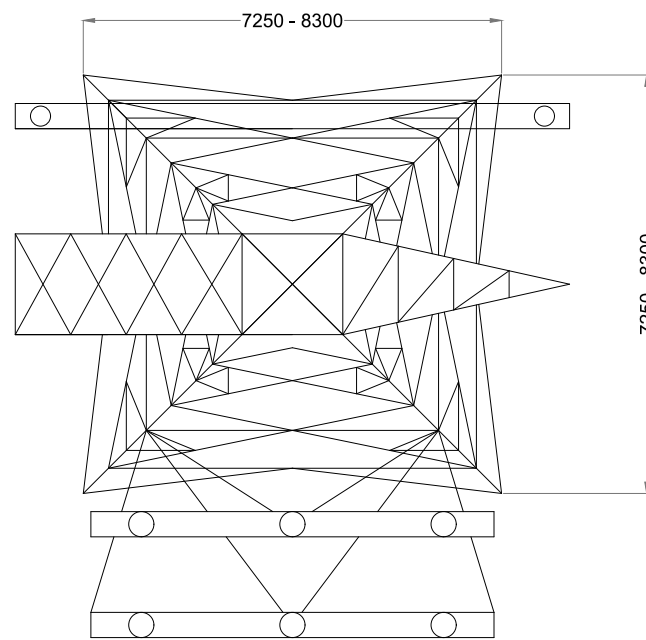
FRONT ELEVATION



REAR ELEVATION



SIDE ELEVATION



PLAN VIEW

DRAWING TITLE:	
<b>110 kV Overhead Line - Line Cable Interface Tower</b>	
PROJECT TITLE:	
<b>Derrinlough Wind Farm, Co. Offaly</b>	
DRAWING BY:	CHECKED BY:
<b>JMcD</b>	<b>NM</b>
PROJECT No.:	DRAWING No.:
<b>1712221</b>	<b>171221 - 33</b>
SCALE:	DATE:
<b>1:150 @ A3</b>	<b>19.02.2020</b>

**BORD NA MÓNA**  
Naturally Driven