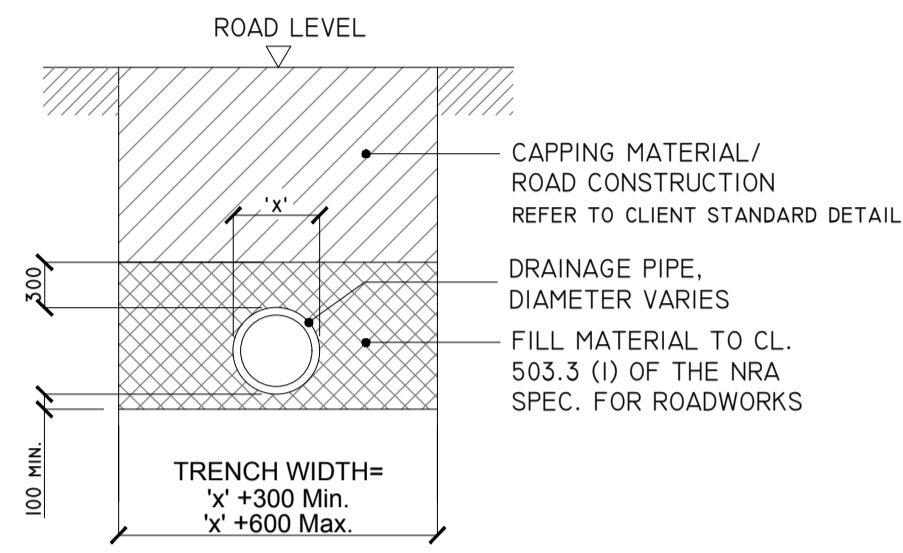


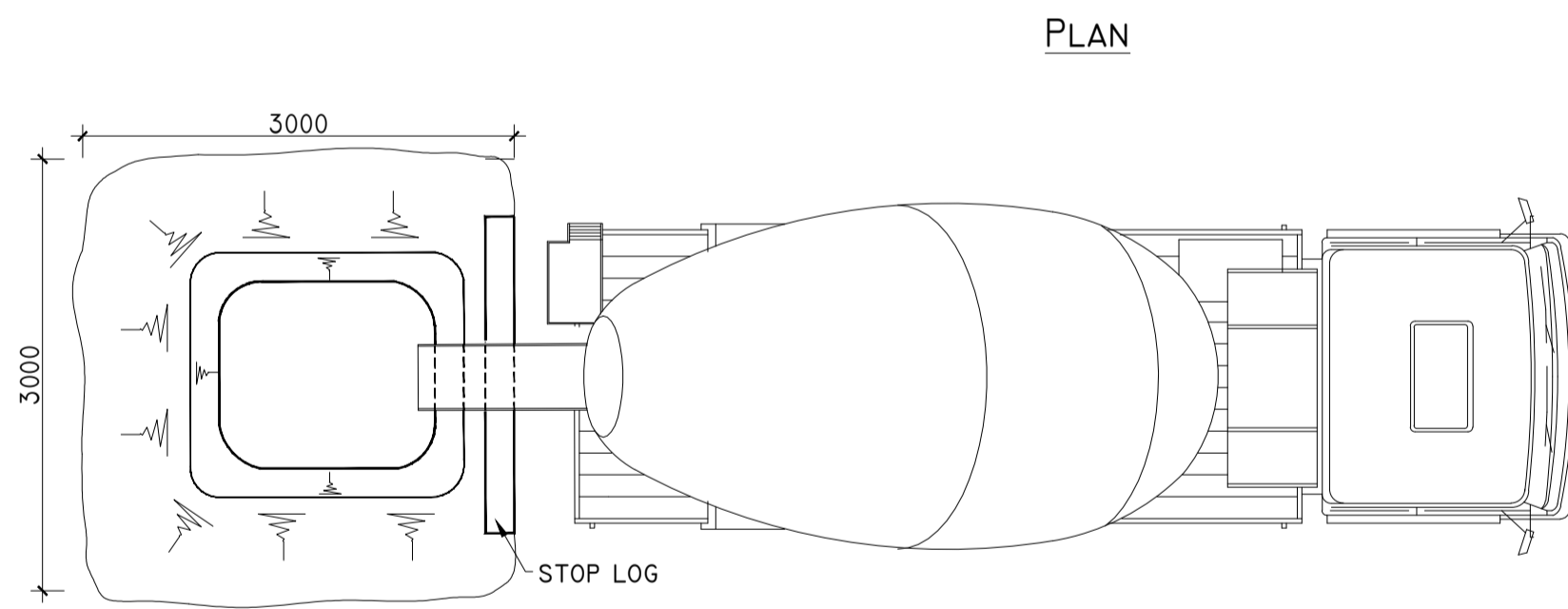
DETAIL F

'TYPE B' CULVERT - DRAINAGE CROSSING BENEATH EXCAVATED ROAD
SCALE 1:50

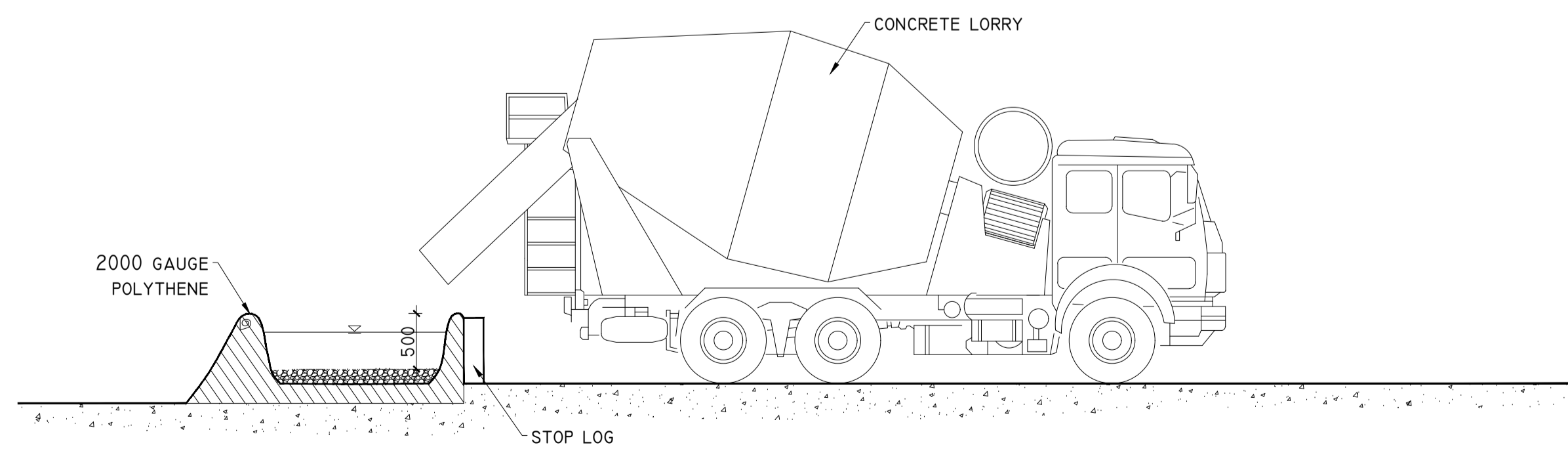


DETAIL I

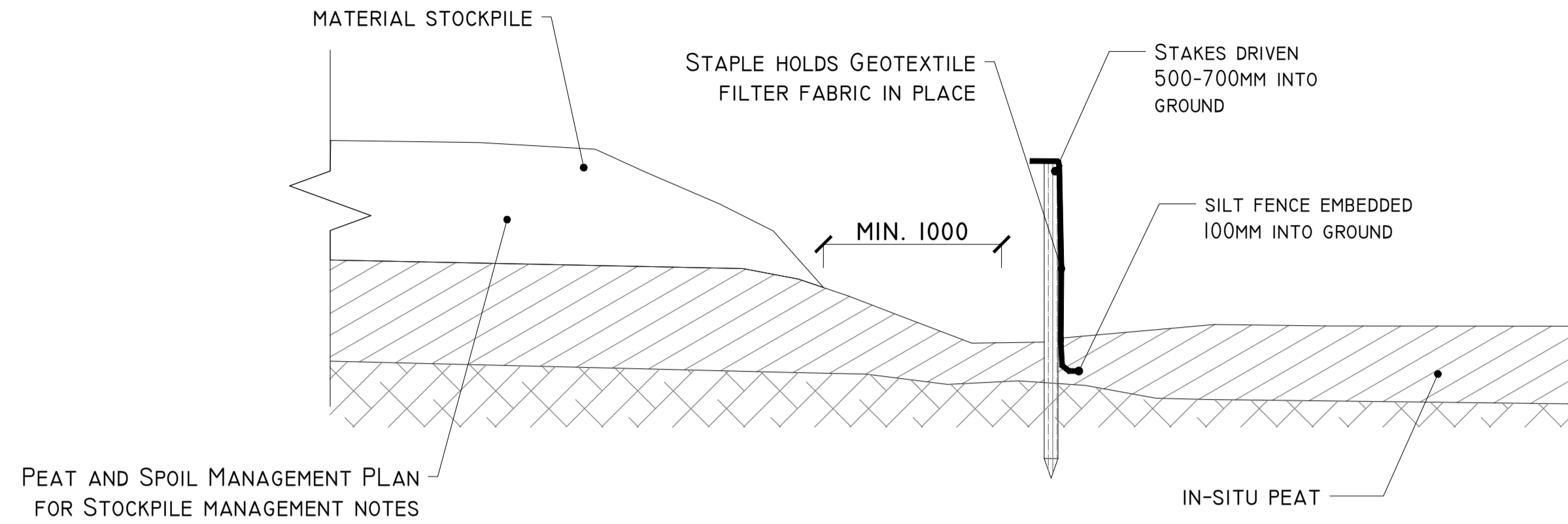
TEMPORARY CONCRETE WASH OUT PIT
SCALE 1:25



ELEVATION



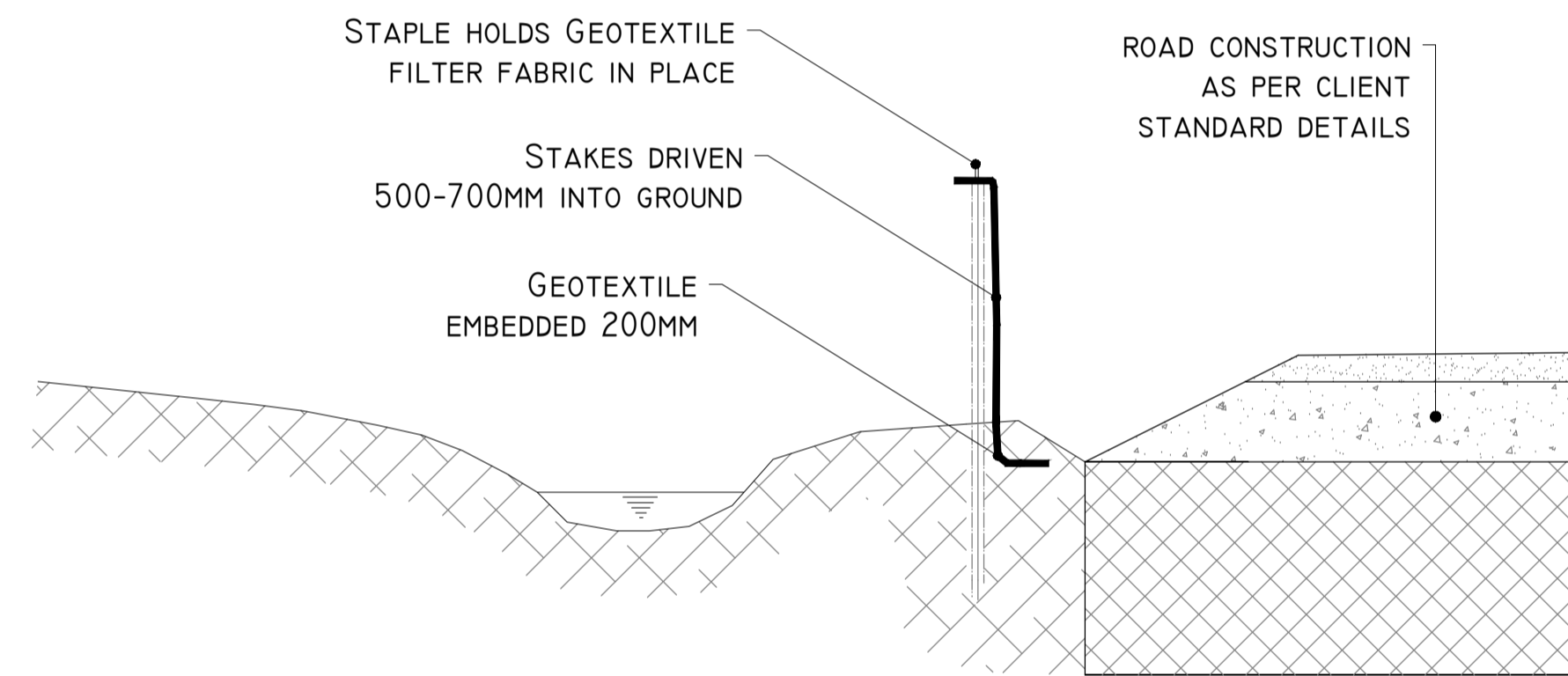
DETAIL G-I



PEAT AND SPOIL MANAGEMENT PLAN
FOR STOCKPILE MANAGEMENT NOTES

SILT FENCE
SCALE 1:25

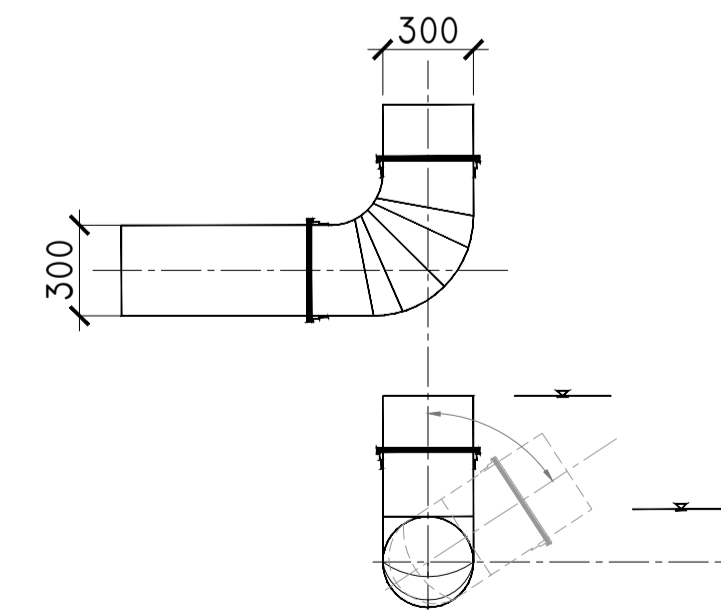
DETAIL G-II



SILT FENCE FOR WATERCOURSE PROTECTION
SCALE 1:25

DETAIL H

90° U BEND AND WATER LEVEL CONTROL MECHANISM
SCALE 1:25



PROJECT DESIGN DRAWING NOTES:
1. PLEASE NOTE THIS DRAWING IS FOR PLANNING PURPOSES ONLY, AND FURTHER DETAILED SPECIFICATION WILL BE REQUIRED FOR THE EXECUTION OF THE WORKS TO ENSURE THEY MEET REQUIRED DESIGN STANDARDS, AND POTENTIAL PLANNING CONDITIONS.
2. DRAWINGS NOT TO BE USED FOR CONSTRUCTION /CONTRACT CONDITIONS.
3. COPYRIGHT, ALL RIGHTS RESERVED. NO PART HERE WITH MAY BE COPIED OR REPRODUCED PARTIALLY OR WHOLLY IN ANY FORM WHATSOEVER WITHOUT THE PRIOR NOTICE OF THE COPYRIGHT OWNER HYDRO-ENVIRONMENTAL SERVICES.
4. DO NOT SCALE OFF THIS DRAWING. FIGURED METRIC DIMENSIONS ONLY SHOULD BE TAKEN OFF THIS DRAWING.
5. THE USE OF OR RELIANCE UPON THIS DRAWING SHALL BE DEEMED TO BE ACCEPTANCE OF THESE CONDITIONS UNLESS OTHERWISE AGREED IN WRITING. SUCH WRITTEN AGREEMENT TO BE SOUGHT FROM AND ISSUED BY THE COPYRIGHT HOLDER TO THE USER OR RELIANCE UPON THIS DRAWING.
6. DRAINAGE SYSTEMS ARE OFFSET AT A DISTANCE APPROPRIATE TO THE SCALE OF THIS DRAWING. ALL DRAINAGE WILL BE LOCATED ADJACENT TO INFRASTRUCTURE, AS APPROPRIATE ACROSS THE SITE.

DRAINAGE DESIGN NOTES:
1. ALL DRAINAGE SUBJECT TO MICRO-SITING AND OPTIMISATION ON SITE.
2. THE LOCATIONS OF CONSTRUCTION PHASE INTERCEPTOR DRAINS, CHECK DAMS, CULVERTS, SWALES, SETTLEMENT PONDS AND LEVEL SPREADERS ARE SHOWN AS INDICATIVE, AND MAY BE CHANGED TO SUIT THE REQUIREMENTS OF THE LOCAL TOPOGRAPHY.
3. SUPERVISING HYDROLOGIST OR ENVIRONMENTAL CLERK OF WORKS (ENVIRONMENTAL SCIENTIST) TO OVERSEE INSTALLATION OF DRAINAGE FEATURES FOLLOWING DETAILED DRAINAGE DESIGN.
4. DRAINAGE MEASURES TO BE INSTALLED PRIOR TO, OR AT THE SAME TIME AS THE WORKS AREAS THEY ARE INTENDED TO DRAIN.
5. DESIGN ELEVATION OF THE WATER SURFACE ALONG THE ROUTE OF THE INTERCEPTOR DRAINS OR SWALES WILL NOT BE LOWER THAN THE DESIGN ELEVATION OF THE WATER SURFACE IN THE OUTLET AT THE LEVEL SPREADER OR SETTLEMENT POND.
6. THE SPACING AND FREQUENCY OF THE CHECK DAMS WILL BE DEPENDANT ON THE GRADIENT OF THE INTERCEPTOR DRAIN OR SWALE IN WHICH THEY ARE BEING INSTALLED.
7. CHECK DAM DESIGNS TO BE SELECTED BEST TO SUIT PARTICULAR TOPOGRAPHY AND HYDROLOGICAL ENVIRONMENT.
8. DOWN GRADIENT SLOPE BELOW LEVEL SPREADER ONTO WHICH THE WATER WILL DISSIPATE TO HAVE A GRADE $\leq 6\%$.
9. NO DIRECT DISCHARGE OR PUMPING TO WATERCOURSES WILL BE PERMITTED. ALL DISCHARGES FROM LEVEL SPREADERS OR STILLING PONDS TO BE VIA VEGETATED FILTERS. SELECTION OR SUITABLE AREAS TO USE AS VEGETATION FILTERS WILL BE DETERMINED BY THE SIZE OF THE CONTRIBUTING CATCHMENT, SLOPE AND GROUND CONDITIONS.
10. NEW TEMPORARY CONSTRUCTION PHASE SETTLEMENT PONDS TO BE SIZED ACCORDING TO THE CATCHMENT AREA THEY WILL BE RECEIVING WATER FROM.
11. DIVERSION OF DRAINAGE DITCHES WILL ONLY TAKE PLACE WHEN ALTERNATIVE DRAINAGE DITCH HAS BEEN INSTALLED TO HANDLE THE SAME WATER.
12. ALL DRAINAGE SYSTEM FEATURES TO BE SUBJECT OF INSPECTION AND MAINTENANCE PLAN.
13. THE LAYOUT SHOWN IS SLIGHTLY OFFSET FOR SCALE PURPOSES, AND ALL DRAINAGE WILL BE INSTALLED AS CLOSE TO ACCESS TRACKS/ROADS AS POSSIBLE.

05.10.16	Planning - Rev A	M.G.	M.Gill
Date	Description	Chkd	Signed
Revisions			

HYDRO ENVIRONMENTAL SERVICES
22 Lower Main St
Dungannon
Co. Waterford
Ireland

tel: +353 (0) 58-44122
tel: +353 (0) 58-44244
email: info@hydroenvironmental.ie
web: www.hydroenvironmental.ie

Client: **BORD NA MONA POWERGEN LTD**

Job: **DERRINLOUGH WIND FARM, CO. OFFALY**

Title: **DRAINAGE DETAILS 2**

Figure No: **171221 - 22**

Drawing No: **P1463-0220-A1-171221-22-00A**

Sheet Size: A1
Scale: as shown (A1)
Date: 14/02/2020

Project No.: P1463
Drawn By: G.D./M.Gill
Checked By: M.G.